

# T-Slot Aluminum Profiles



**E3370A**  
40x40, T=1.0, 0.886kg/m



**HG0002**  
80x40, T=\*, 2.14kg/m



**HG0005**  
60x30, T=\*, 1.60kg/m



**HG0007**  
60.3x40.5, T=1.2, 1.364kg/m



**HG010**  
40x40, T=2.1, 1.503kg/m



**HG017**  
32x32, T=\*, 1.297kg/m



**HG018**  
45x45, T=\*, 1.466kg/m



**HG019**  
45x32, T=\*, 1.607kg/m



**HG020**  
45x45, T=\*, 1.955kg/m



**HG026**  
20x20, T=1.5, 0.450kg/m



**HG027**  
40x20, T=\*, 0.819kg/m



**HG028**  
40x40, T=\*, 1.707kg/m



**HG033**  
30x30, T=1.0, 0.537kg/m



**HG034**  
60x60, T=\*, 2.766kg/m



**HG035**  
80x40, T=3.0, 2.998kg/m



**HG036**  
60x30, T=\*, 1.903kg/m



**HG037**  
30x15, T=\*, 0.653kg/m



**HG039**  
60x40, T=1.0, 0.987kg/m



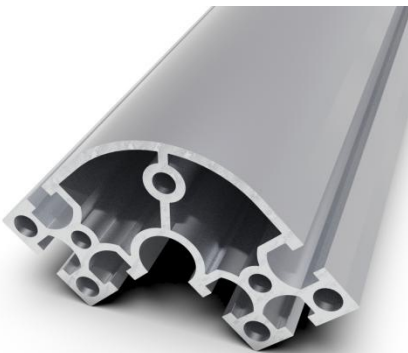
**HG040**  
40x40, T=0.8, 0.675kg/m



**HG044**  
40x40, T=\*, 1.801kg/m



**HG049**  
45x45, T=1.7, 1.650kg/m



**HG064**  
80x80, T=2.8, 4.077kg/m



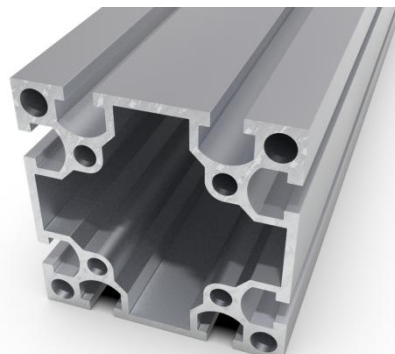
**HG065**  
60x60, T=2.0, 2.156kg/m



**HG067**  
50x50, T=1.9, 2.401kg/m



**HG069**  
60x20, T=1.4, 1.158kg/m



**HG073**  
80x80, T=\*, 4.323kg/m



**HG075**  
90x30, T=2.2, 2.503kg/m



**HG076**  
60x15, T=\*, 1.266kg/m



**HG080**  
30x30, T=\*, 0.842kg/m



**HG081**  
20x20, T=\*, 0.402kg/m



**HG082**  
40x40, T=2.0, 1.537kg/m



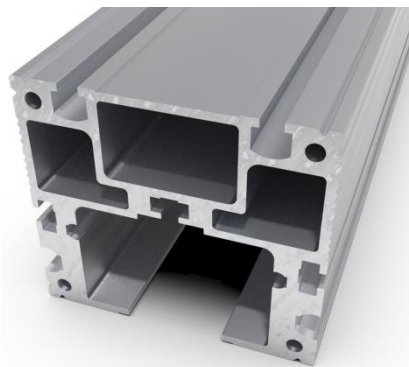
**HG083**  
80x40, T=2.0, 2.710kg/m



**HG086**  
40x40, T=1.0, 1.066kg/m



**HG087**  
30x30, T=\*, 0.799kg/m



**HG093**  
90x80, T=2.5, 5.633kg/m



**HG094**  
40x40, T=1.5, 1.089kg/m



**HG096**  
60x30, T=2.5, 1.809kg/m



**HG097**  
100x50, T=2.9, 3.970kg/m



**HG098**  
120x40, T=2.8, 4.425kg/m



**HG100**  
85x68, T=4.0, 3.673kg/m



**HG101**  
90x30, T=4.0, 3.552kg/m



**HG102**  
80x20, T=1.4, 1.481kg/m



**HG103**  
100x63.5, T=2.5, 4.275kg/m



**HG112**  
150x30, T=2.2, 3.832kg/m



**HG113**  
80x80, T=3.0, 5.795kg/m



**HG116**  
94x40, T=\*, 3.256kg/m



**HG121**  
80x80, T=3.0, 6.156kg/m



**HG122**  
40x40, T=2.4, 1.302kg/m



**HG123**  
85x40, T=3.2, 2.633kg/m



**HG124**  
40x20, T=1.8, 0.956kg/m



**HG125**  
40x45, T=\*, 1.865kg/m



**HG129**  
50x50, T=\*, 2.852kg/m



**HG3030**  
30x30, T=2.5, 1.10kg/m



**JH3030B**  
30x30, T=1.5, 0.876kg/m



**JHE3370**  
40x40, T=1.2, 0.98kg/m



**JH3838**  
38x38, T=3.0, 1.526kg/m



**JH8040**  
80x40, T=\*, 2.48kg/m



**JHEFL4040**  
40x40, T=1.4, 1.39kg/m